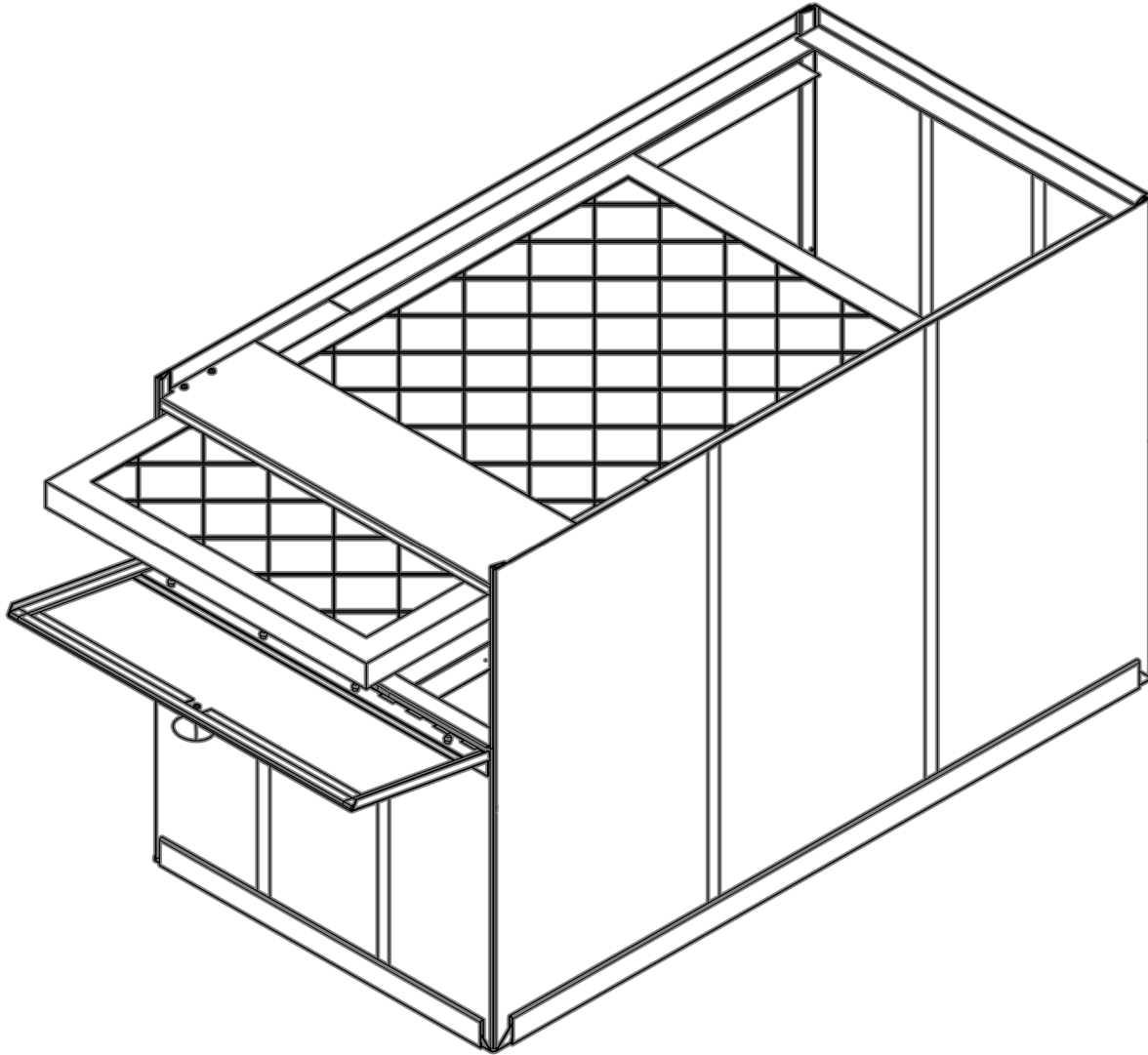


Assembly Instructions



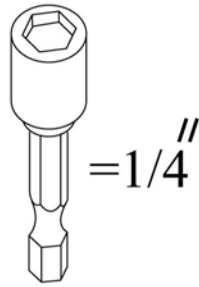
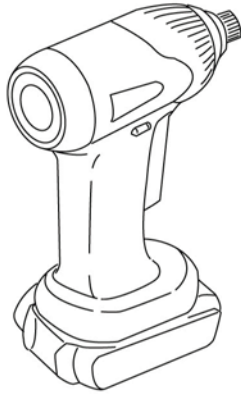
Telephone: 877.690.7442 Email: Info@FlowRightBox.com

FlowRightBox.com

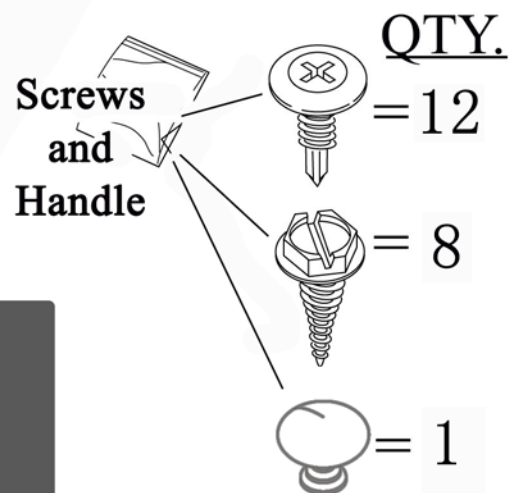
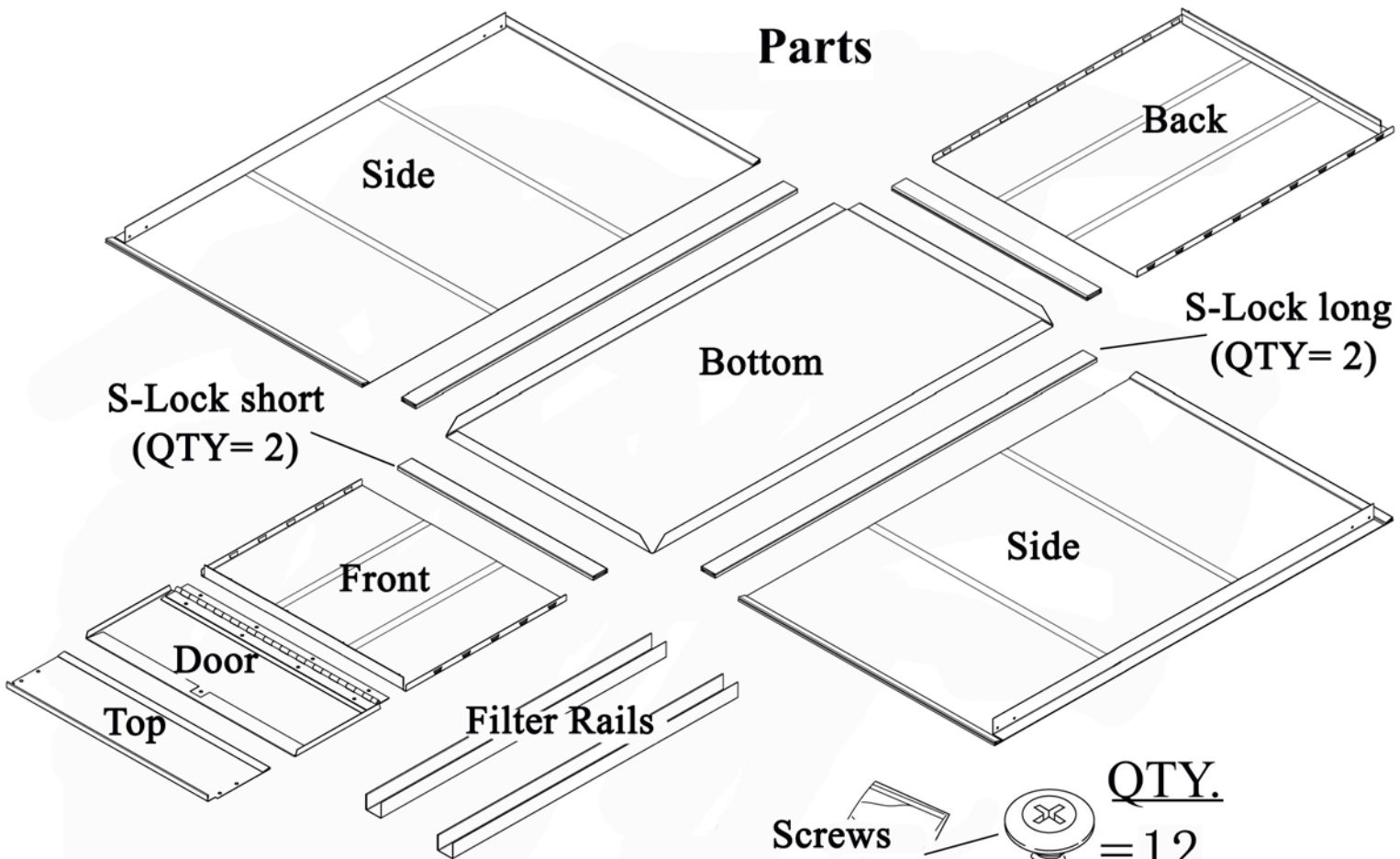
U.S. Patent No. 8,999,029

©Copyright 2015 / Flow Right™ and FlowRightBox.com™

Tools Needed for Assembly

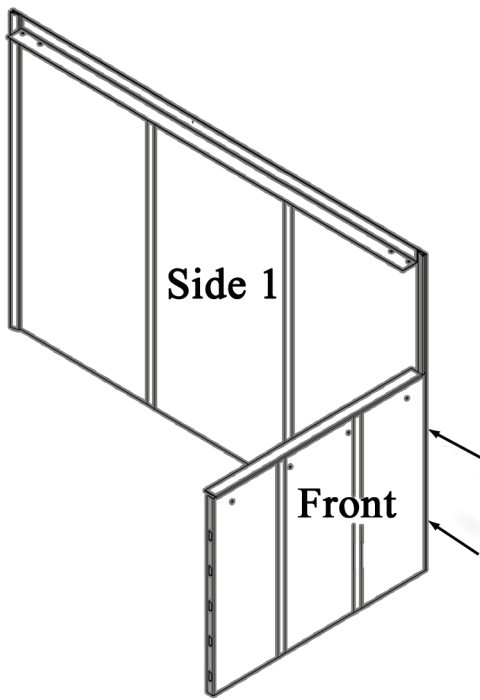


Parts

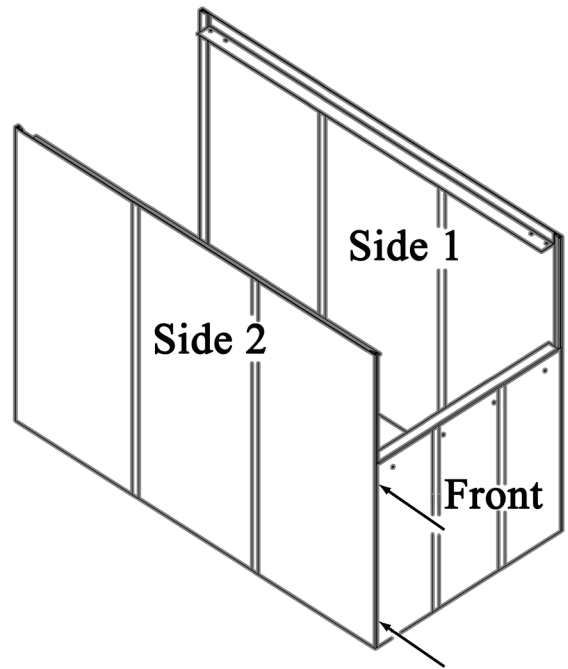


Optional Helpful Tools:

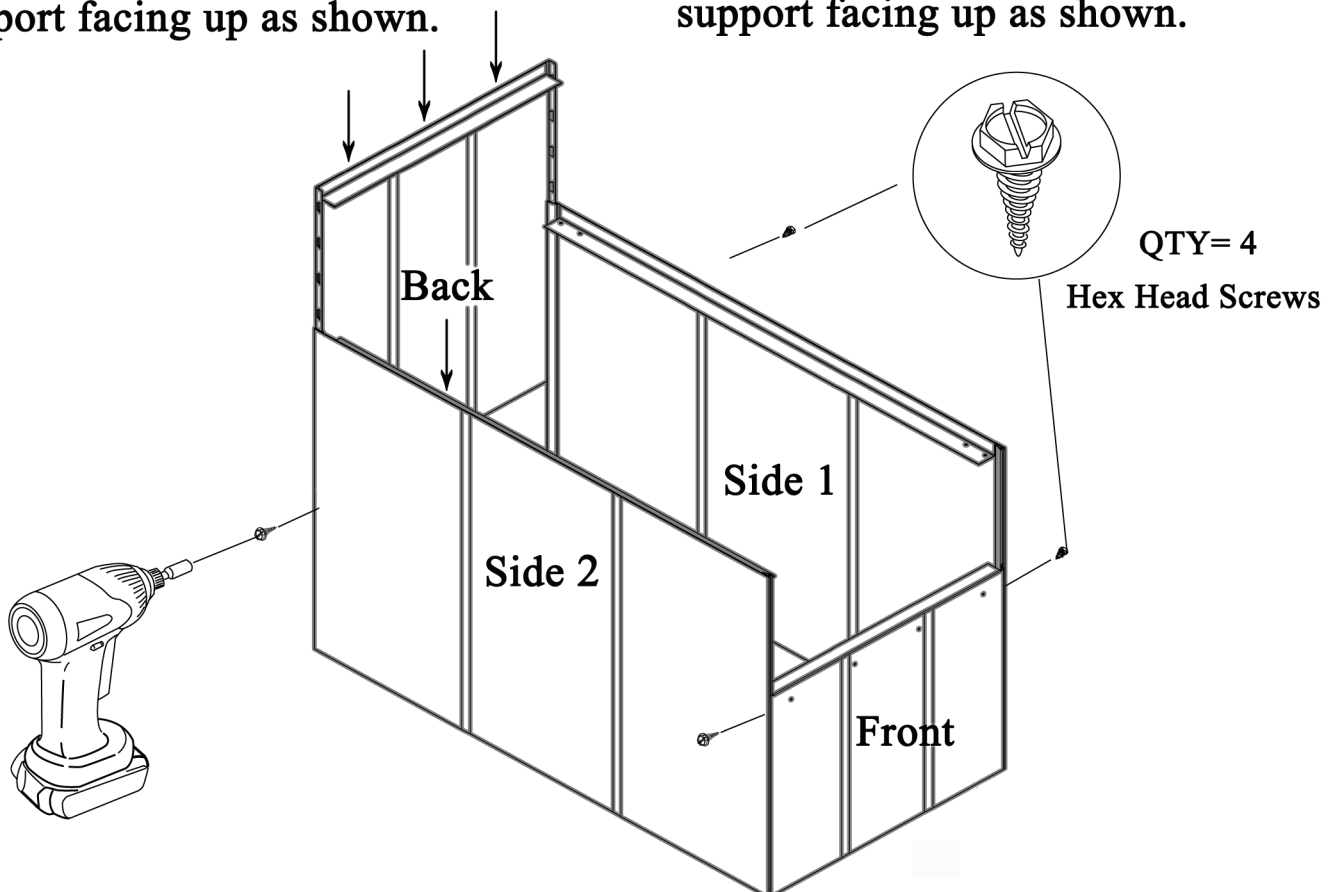
- Caulking Gun
- Tube of Silicone



Step 1. Snap Front panel into the end of Side panel 1 with furnace support facing up as shown.

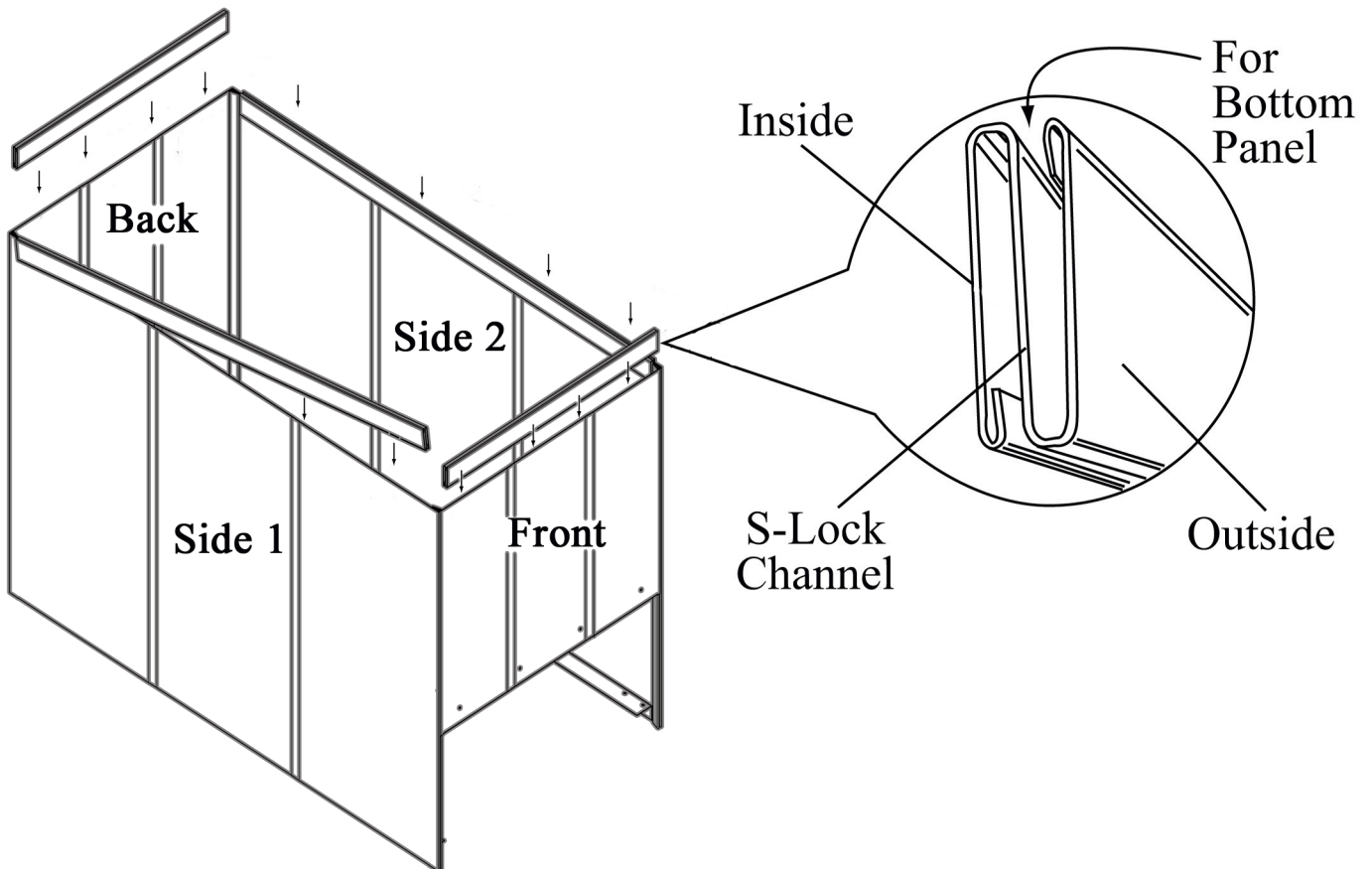


Step 2. Snap Front panel into the end of Side panel 2 with furnace support facing up as shown.



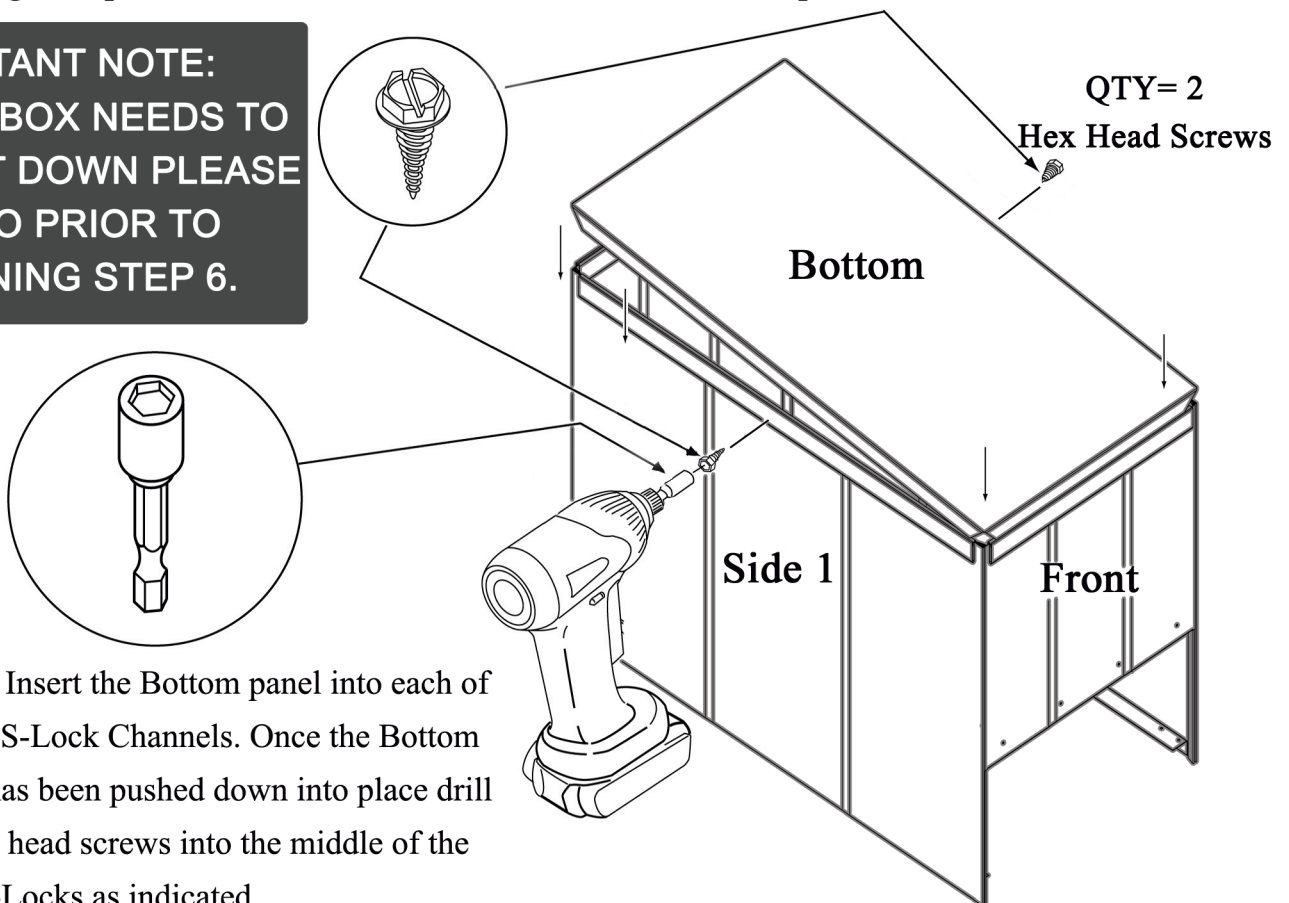
Step 3. Snap Back panel into the ends of Side panel 1 and 2 with the furnace support facing up and slide down as shown.

Step 4. Ensure the bottom edges are even and all sides are aligned then drill (4) hex head screws into the Side panels at the locations indicated.

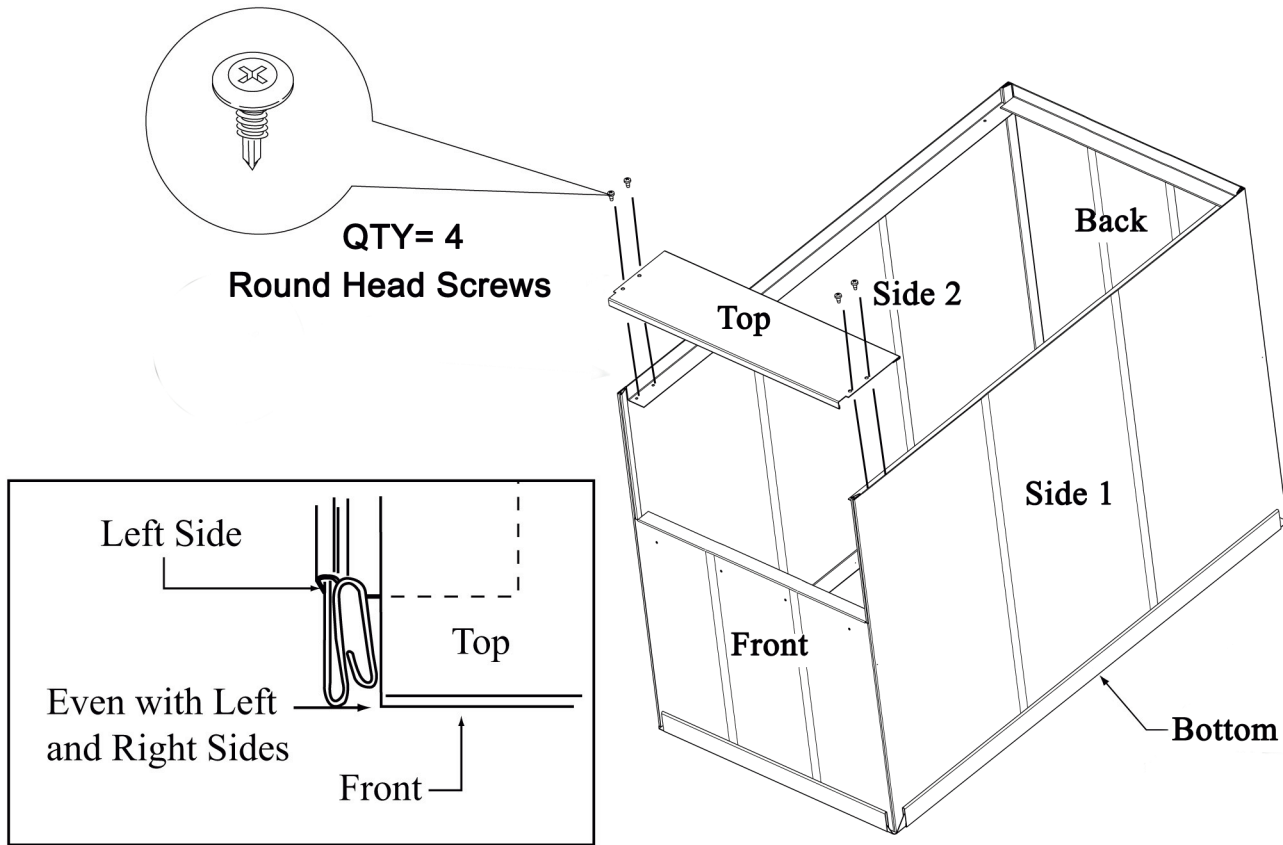


Step 5. Place the box upside down and slide the short S-Locks onto the bottom edges of the Front and Back panels and the long S-Locks onto the bottom edges of the Side panels while ensuring the open S-Lock Channels are on the outside of each panel as shown.

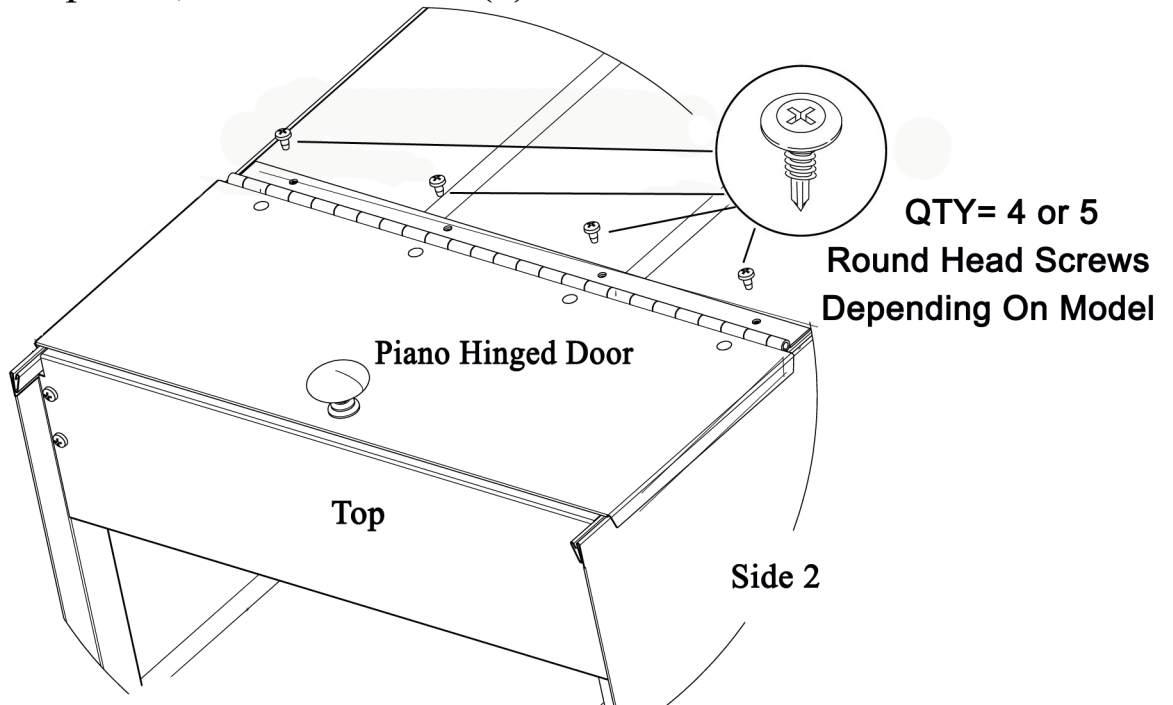
IMPORTANT NOTE:
 IF THE BOX NEEDS TO
 BE CUT DOWN PLEASE
 DO SO PRIOR TO
 BEGINNING STEP 6.



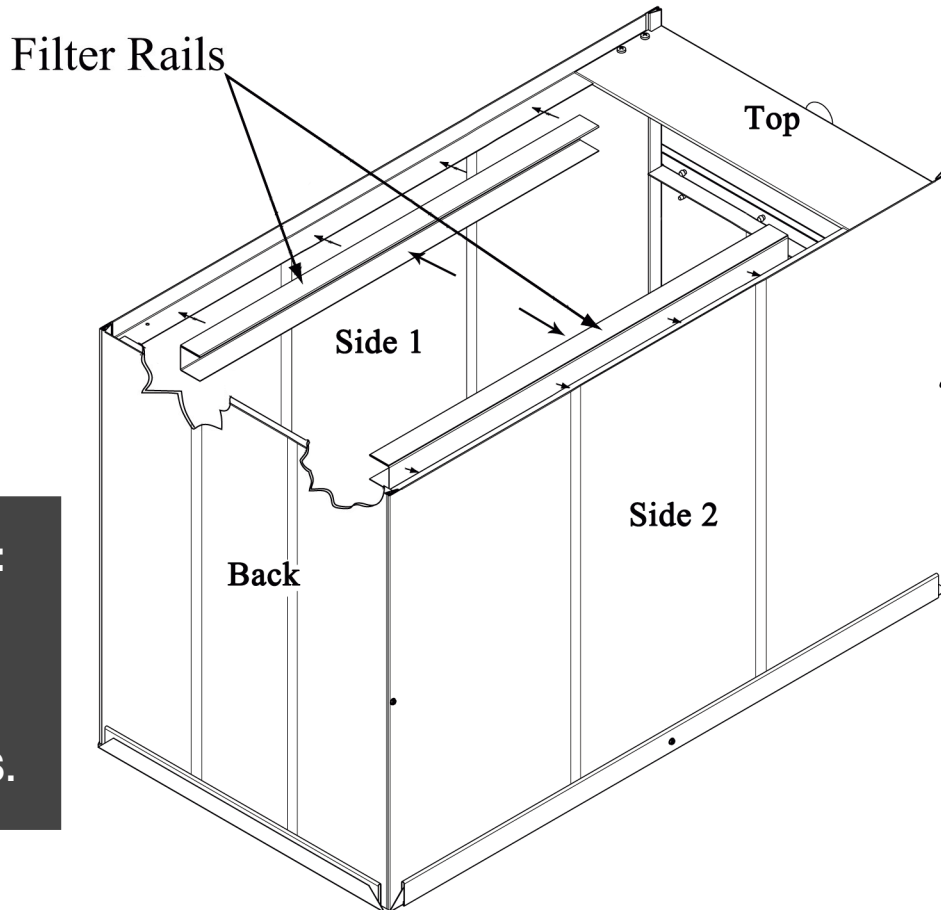
Step 6. Insert the Bottom panel into each of the (4) S-Lock Channels. Once the Bottom panel has been pushed down into place drill (2) hex head screws into the middle of the long S-Locks as indicated.



Step 7. Place the box upright, align the assembly holes on the Top panel with those on the Side panels, and secure with (4) round head screws as shown.



Step 8. Place the box on its back, align the assembly holes on the piano hinge with those on the Front panel, and secure with (4) or (5) round head screws as shown. Then secure the knob handle to the Piano Hinged Door via the assembly hole on the Door and the screw included within the handle.



ATTENTION:

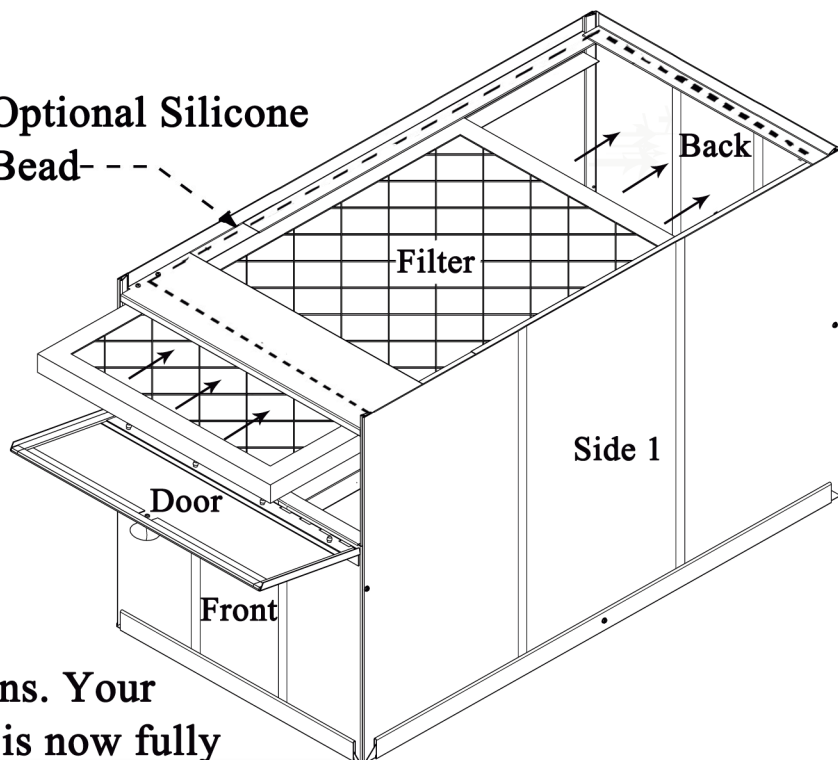
**DO NOT USE
SCREWS TO
FASTEN THE
FILTER RAILS.**

Step 9. Slide the (2) Filter Rails onto the filter box furnace supports on the Side panels and then slide them all the way back so they are secured between the furnace supports on the Back panel and Side panels.

IMPORTANT NOTE:

**SIDE PANELS 1, 2 OR
THE BACK PANEL
MAY BE CUT TO
ATTACH THE
RETURN AIR DUCT.**

Optional Silicone
Bead

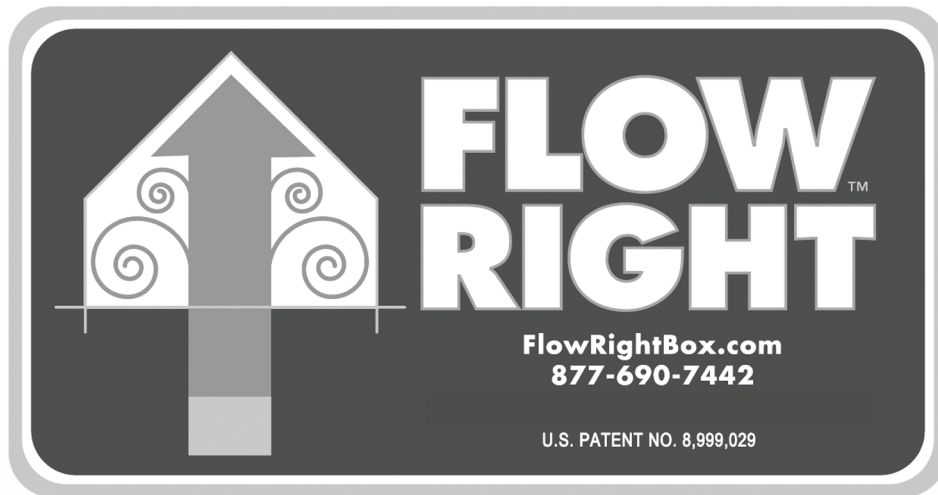


Step 10. Congratulations. Your Flow Right Filter Box is now fully assembled and ready for a filter and your furnace.

Need Assistance?

No Problem. We're here if you need us.

Help@FlowRightBox.com



**Please visit
FlowRightBox.com
for additional
information, support
and other products.**

Telephone: 877.690.7442

FlowRightBox.com